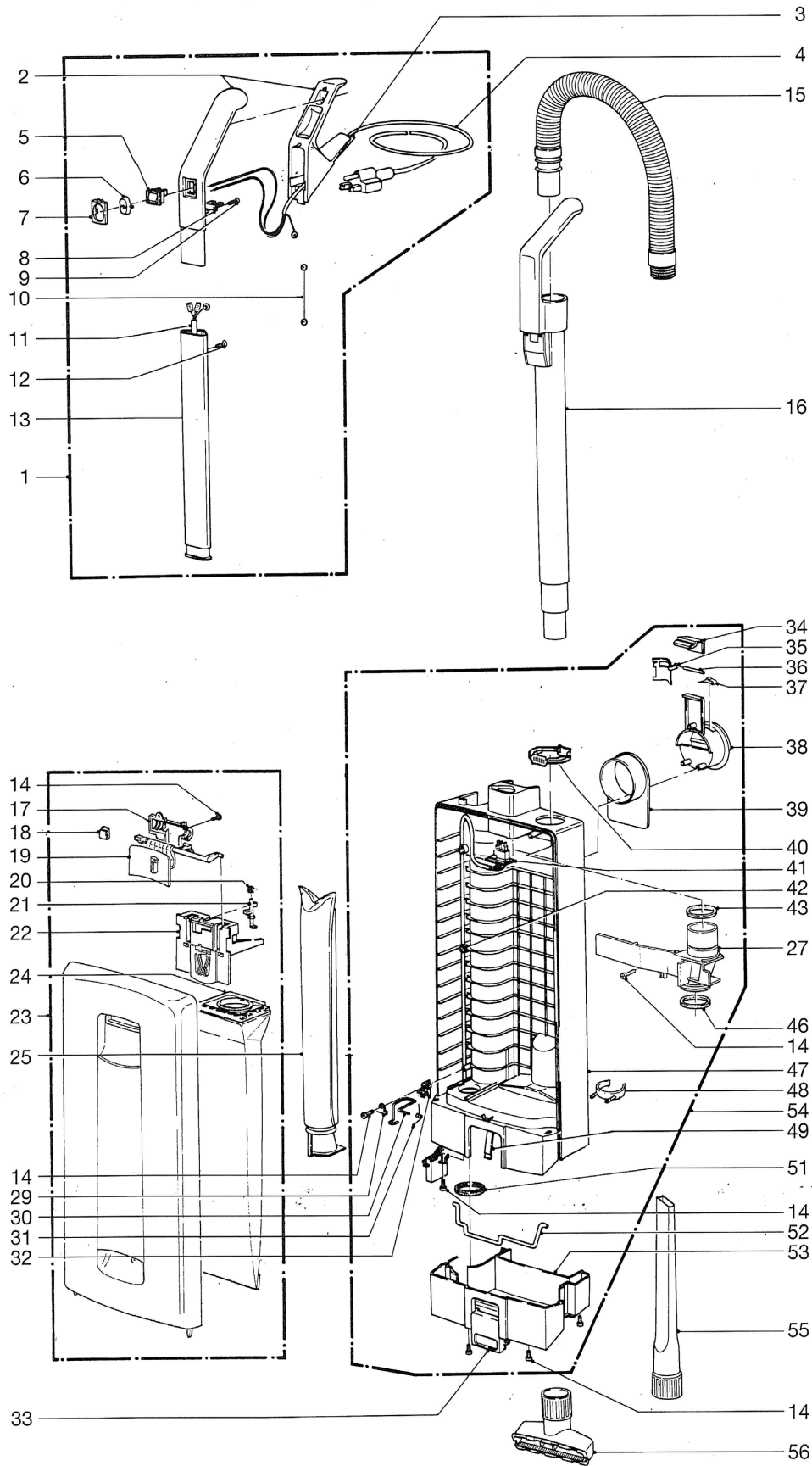


# PARTS LIST / XP15 / 120V



# PARTS LIST / XP15 / 120V

